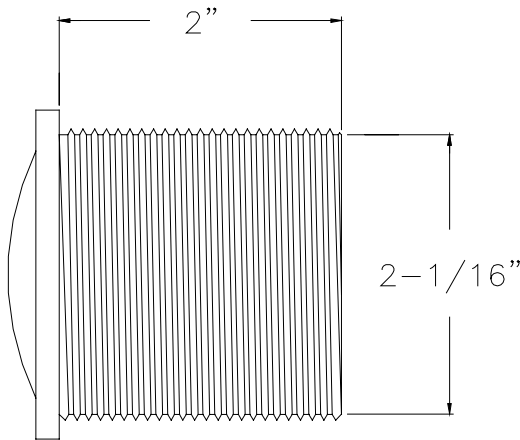




Beede Electrical Instrument Co., Inc.
88 Village Street • P.O. Box 8910 • Penacook, NH 03303-8910
Telephone (603) 753-6362 FAX (603) 753-6201

BEEDE MARINE COMPASS BD-15

INSTALLATION, WARRANTY AND MAINTENANCE



WARRANTY

We will warrant the Beede Compass to be free of defects in workmanship or materials. If Magnetic Compass fails to give satisfactory service within two years of purchase date, it will be repaired or replaced without charge.

This Warranty does not cover breakage through accident or misuse. Replacement or repair will be made if the instrument is returned prepaid to BEEDE ELECTRICAL INSTRUMENT CO., INC., 88 Village Street, Penacook NH 03303.

IMPORTANT: Before installing compass permanently, test the proposed location by rotating the vehicle/boat and comparing the compass reading to the actual direction the vehicle/boat is facing. Electric motors, stereo speakers and windshield wiper motors often cause magnetic interference.

The **BD-15** is not equipped with internal compensators. It is a precision instrument that is intended to be used as a HEADING REFERENCE only. Care should be taken to select a mounting location that causes the least error in the compass readings.

INSTALLATION: For maximum accuracy and performance, select a location easily visible to the operator and with minimum magnetic interference. The **BD-15** mounts in any standard 2 – 1/16" gauge hole. The compass face may be installed at no greater than a 45 degree angle to vertical.

The Compass should be mounted parallel to the centerline of the boat.

LIGHTING: 12 volt DC LED night lighting is supplied. The **COPPER CONDUCTOR IS ATTACHED TO +**, and the **SILVER COLOR CONDUCTOR IS GROUND**. Reversing the connection will not damage the LED, but IT WILL NOT LIGHT.

WARNING – The ungrounded (+) wire must be fused at 1 amp. If lighting is not connected to a fuse circuit, a fire hazard could result. Take precaution to protect wire and LED connection during installation.

MAINTENANCE: Clean with a soft, damp cloth only. Do not use abrasive cleaners, harsh chemicals or solvents.