



Faria Beede Instruments, Inc.
 P. O. Box 983
 Uncasville, CT 06382
 860.848.9271
 Fax: 860.848.2704

www.FariaBeede.com



3" 2 in 1 GPS Speedometer/Fuel Gauge W/Connector Installation Instructions

WARNING

Improper installation may damage the instrument and/or cause injury to the installer. If you have installation questions, please contact the factory.

Disconnect battery cables before installing the instrument.

Check for obstructions behind dash panel such as wires and hoses before cutting the mounting hole for the instrument.

MOUNTING

Recommended dash hole size: 3.380±.015 in (85.85±0.38 mm) DIA.

Secure the instrument into dashboard with mounting "J" clamp and Kep nuts.

If dashboard thickness exceeds clamp grip range, clamp legs may be shortened.

Position instrument in dash board prior to tightening clamp nuts to recommended torque.

Maximum recommended tightening torque for all hardware: 6 lb-in (0.68 N-m).

Caution, over tightening mounting hardware may damage the instrument.

MAINTENANCE

Periodically check and torque all hardware per mounting specifications.

Clean glass with a soft, damp, clean cloth.

THANK YOU!

Thank you for purchasing a Beede instrument.

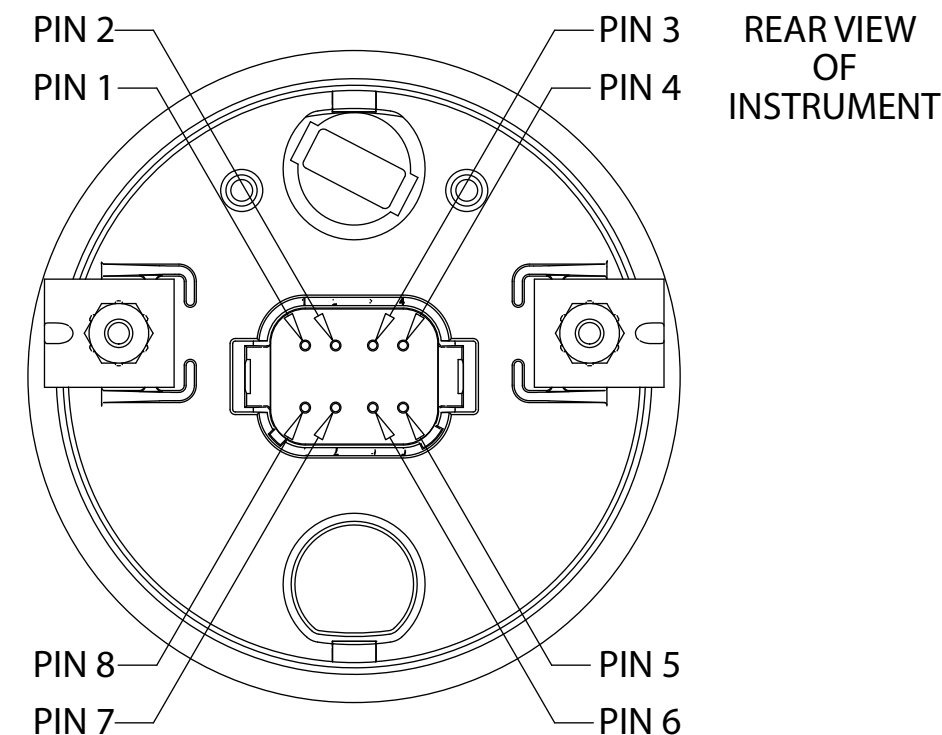
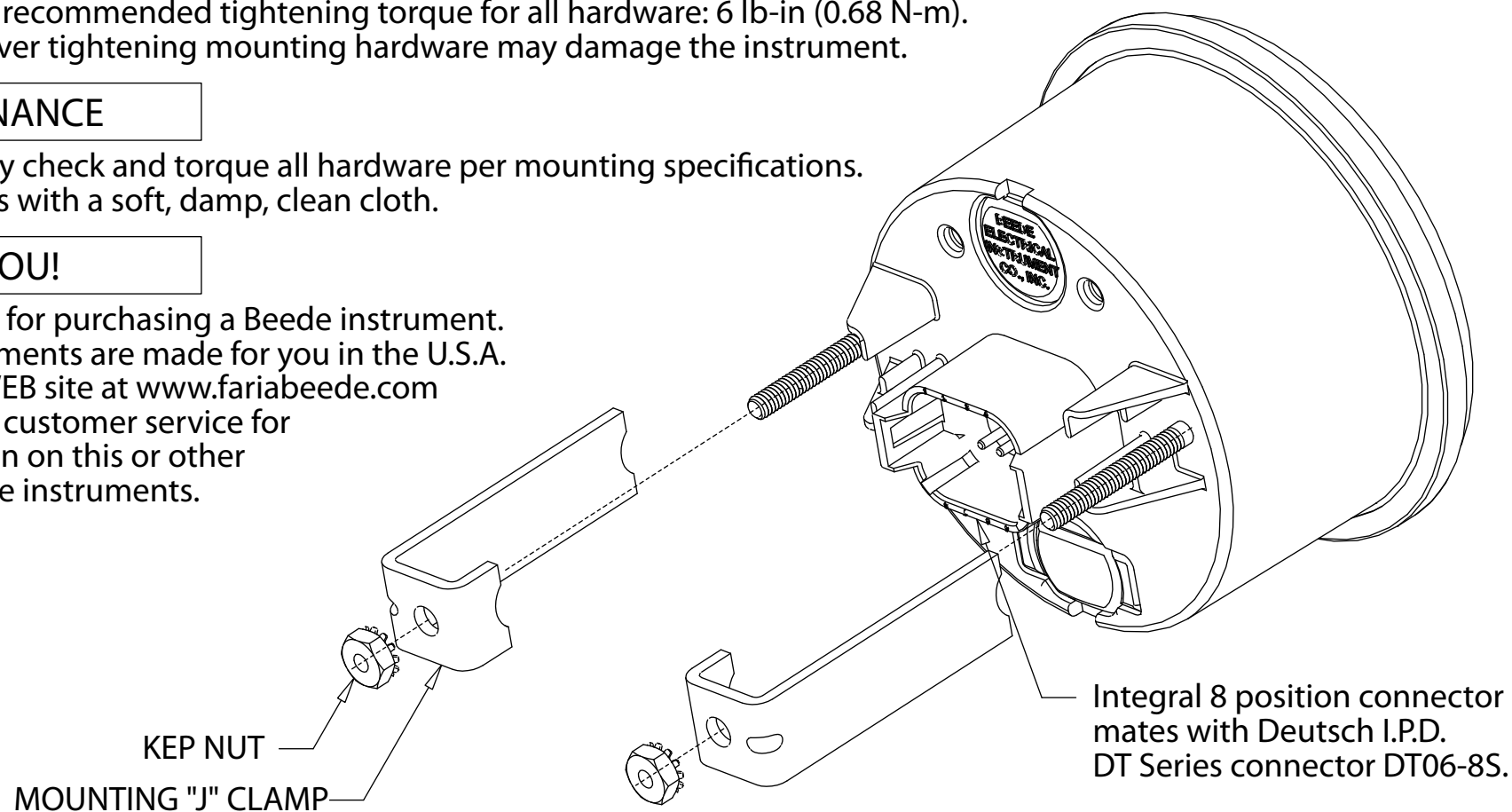
Our instruments are made for you in the U.S.A.

Visit our WEB site at www.fariabeede.com

or contact customer service for

information on this or other

Faria Beede instruments.



Instrument Wiring Table	
Pin Number	Connection Name
1	Battery +
2	Ground
3	Speedometer Signal Input (Pressure Transducer)
4	Lamp (+12V)
5	No Connection
6	GPS Input (NMEA-0183)
7	Ground
8	Fuel Gauge (240-33 Ohm)