



Beede Electrical Instrument Company, Inc.
88 Village Street, Penacook, NH 03303-8910
Phone: (603) 753-6362 FAX: (603) 753-6201

Since 1917 Visit our WEB site <http://www.beede.com> ISO 9001 CERTIFIED

- AGRICULTURAL
- AUTOMOTIVE
- INDUSTRIAL
- MARINE
- TRUCK
- BUS

WARRANTY

Beede Electrical Instrument Co., Inc. warrants all instruments and accessories free from all defects in workmanship and materials on gauges that are less than three (3) years old or have been in service fewer than two (2) years and, at no charge, will replace or repair at Beede's option all instruments that fail. Contact Beede for complete details.

3" 4 In 1 W/#8-32 Studs Installation Instructions

⚠ WARNING

Improper installation may damage the instrument and/or cause injury to the installer. If you have installation questions, please contact the factory.

Disconnect battery cables before installing the instrument.

Check for obstructions behind dash panel such as wires and hoses before cutting the mounting hole for the instrument.

MOUNTING

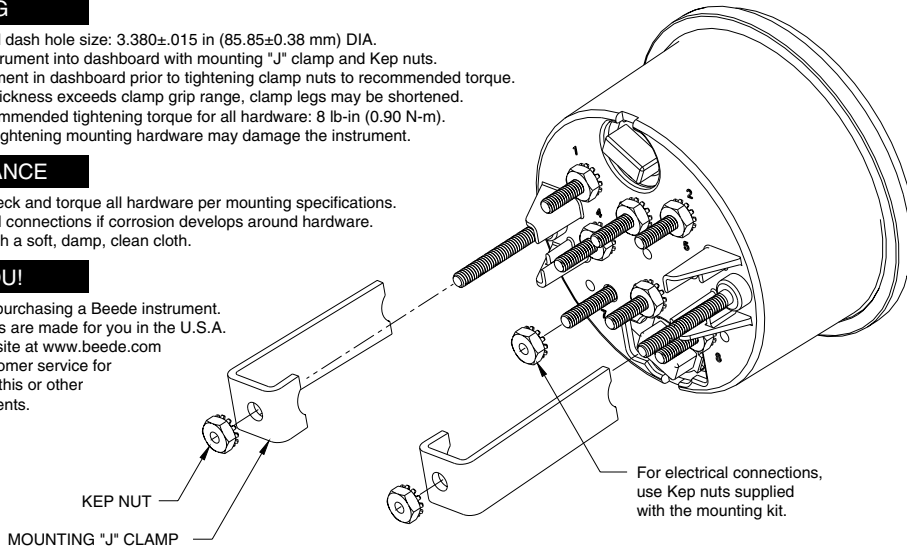
Recommended dash hole size: 3.380±.015 in (85.85±0.38 mm) DIA.
Secure the instrument into dashboard with mounting "J" clamp and Kep nuts.
Position instrument in dashboard prior to tightening clamp nuts to recommended torque.
If dashboard thickness exceeds clamp grip range, clamp legs may be shortened.
Maximum recommended tightening torque for all hardware: 8 lb-in (0.90 N-m).
Caution, over tightening mounting hardware may damage the instrument.

MAINTENANCE

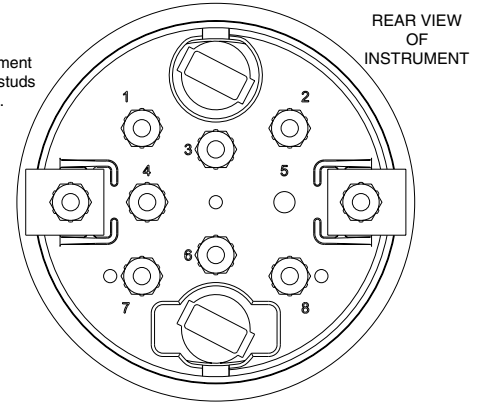
Periodically check and torque all hardware per mounting specifications.
Clean electrical connections if corrosion develops around hardware.
Clean glass with a soft, damp, clean cloth.

THANK YOU!

Thank you for purchasing a Beede instrument.
Our instruments are made for you in the U.S.A.
Visit our WEB site at www.beede.com
or contact customer service for information on this or other Beede instruments.



Note:
Due to various available instrument options, not all studs may be present.



REAR VIEW
OF
INSTRUMENT

Instrument Wiring Table	
Pin Number	Connection Name
1	Upper Right Gauge Sender (See Note)
2	Upper Left Gauge Sender (See Note)
3	Battery +
4	Lamp (When Applicable)
5	No Connection
6	Ground
7	Lower Right Gauge Sender (See Note) Or Lamp Connection When Applicable
8	Lower Left Gauge Sender (See Note)

Note: Gauge locations are as viewed from front of the instrument.
No sender connection required for voltmeters.
See wiring connection label on instrument for appropriate connection.