



Beede Electrical Instrument Company, Inc.  
 88 Village Street, Penacook, NH 03303-8910  
 Phone: (603) 753-6362 FAX: (603) 753-6201

Since 1917 Visit our WEB site <http://www.beede.com> ISO 9001 CERTIFIED

- AGRICULTURAL
- AUTOMOTIVE
- INDUSTRIAL
- MARINE
- TRUCK
- BUS

### WARRANTY

Beede Electrical Instrument Co., Inc. warrants the Information Center, transducers and materials supplied free from all defects in workmanship and materials for (18) eighteen months.

Beede, at no charge, will replace or repair at our option defective product.  
 Contact Beede for complete details.

## Information Center (SAE J1939 Compatable) Installation Instructions

### WARNING

Improper installation may damage the instrument and/or cause injury to the installer. If you have installation questions, please contact the factory.

Disconnect battery cables before installing the instrument.

Check for obstructions behind dash panel such as wires and hoses before cutting the mounting hole for the instrument.

### MOUNTING

Secure the instrument into dashboard with two mounting "J" clamps, lock washers and hex nuts.

If dashboard thickness exceeds clamp grip range, clamp legs may be shortened.

Position instrument in dash board prior to tightening clamp nuts to recommended torque.

Maximum recommended tightening torque for all hardware: 6 lb-in (0.68 N-m).

Caution, over tightening mounting hardware may damage the instrument.

Refer to transducer installation instructions for proper mounting location and cutout.

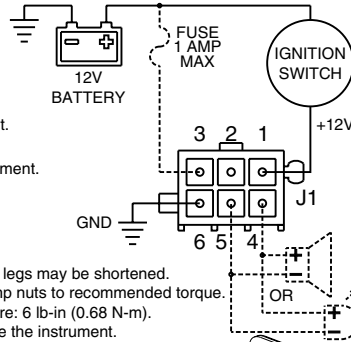
### MAINTENANCE

Periodically check and torque all hardware per mounting specifications.

Clean instrument front and glass with a soft, damp, clean cloth.

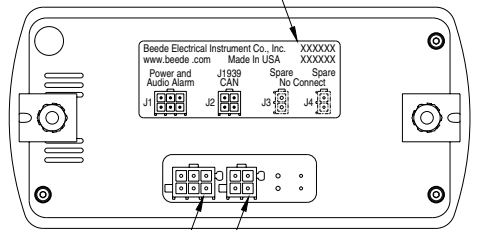
### THANK YOU!

Thank you for purchasing a Beede instrument. Our instruments are made for you in the U.S.A. Visit our WEB site at [www.beede.com](http://www.beede.com) or contact customer service for information on this or other Beede instruments.



POWER AND AUDIO ALARM (J1) CONNECTION TABLE	
PIN NUMBER	CONNECTION NAME
1	IGNITION SWITCH
2	NO CONNECTION
3	TIME RETENTION B+ (OPTIONAL)
4	ALARM DEVICE (+) (OPTIONAL)
5	ALARM DEVICE (-) (OPTIONAL)
6	VEHICLE CHASSIS

### CONNECTOR IDENTIFICATION AND PART NUMBER LABEL REAR VIEW OF INSTRUMENT



POWER AND AUDIO ALARM CONNECTOR (J1)  
 SEE CONNECTION TABLE AND DIAGRAM.  
 MATING CONNECTOR: AMP INCORPORATED  
 MINI-UNIVERSAL MATE-N-LOK P/N 172168-1  
 WITH SOCKET CONTACT P/N 171639-1  
 OR EQUIVALENT.

J1939 CAN CONNECTOR (J2)  
 MATING CONNECTOR:  
 AMP INCORPORATED  
 MINI-UNIVERSAL MATE-N-LOK P/N 172167-1  
 WITH SOCKET CONTACT P/N 171639-1 OR EQUIVALENT.

Recommended wire size: 18 AWG Stranded.

