



Beede Electrical Instrument Company, Inc.  
88 Village Street, Penacook, NH 03303-8910  
Phone: (603) 753-6362 FAX: (603) 753-6201

Since 1917 Visit our WEB site <http://www.beede.com> ISO 9001 CERTIFIED

- AGRICULTURAL •
- AUTOMOTIVE •
- INDUSTRIAL •
- MARINE •
- TRUCK •
- BUS •

## WARRANTY

Beede Electrical Instrument Co., Inc. warrants the Information Center, transducers and materials supplied free from all defects in workmanship and materials for (18) eighteen months.

Beede, at no charge, will replace or repair at our option defective product.  
Contact Beede for complete details.

# Information Center Installation Instructions

## WARNING

Improper installation may damage the instrument and/or cause injury to the installer. If you have installation questions, please contact the factory.

Disconnect battery cables before installing the instrument.

Check for obstructions behind dash panel such as wires and hoses before cutting the mounting hole for the instrument.

## MOUNTING

Secure the instrument into dashboard with two mounting "J" clamps, lock washers and hex nuts.

If dashboard thickness exceeds clamp grip range, clamp legs may be shortened.

Position instrument in dash board prior to tightening clamp nuts to recommended torque.

Maximum recommended tightening torque for all hardware: 6 lb-in (0.68 N-m).

Caution, over tightening mounting hardware may damage the instrument.

Refer to transducer installation instructions for proper mounting location and cutout.

## MAINTENANCE

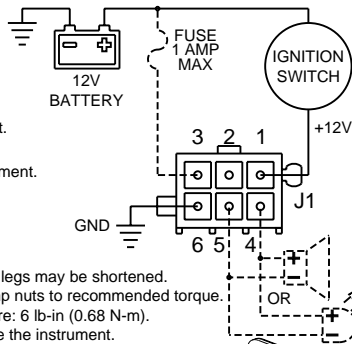
Periodically check and torque all hardware per mounting specifications.  
Clean instrument front and glass with a soft, damp, clean cloth.

## NOTE

This instrument operates with Beede approved transducers only.  
If you did not receive a Beede approved transducer, please contact the factory.

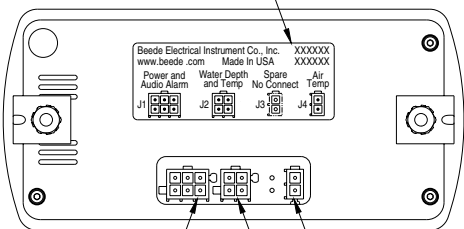
## THANK YOU!

Thank you for purchasing a Beede instrument.  
Our instruments are made for you in the U.S.A.  
Visit our WEB site at [www.beede.com](http://www.beede.com) or contact customer service for information on this or other Beede instruments.



POWER AND AUDIO ALARM (J1) CONNECTION TABLE	
PIN NUMBER	CONNECTION NAME
1	IGNITION SWITCH
2	NO CONNECTION
3	TIME RETENTION+ (OPTIONAL)
4	ALARM DEVICE (+) (OPTIONAL)
5	ALARM DEVICE (-) (OPTIONAL)
6	VEHICLE CHASSIS

## CONNECTOR IDENTIFICATION AND PART NUMBER LABEL REAR VIEW OF INSTRUMENT



POWER AND AUDIO ALARM CONNECTOR (J1)  
SEE CONNECTION TABLE AND DIAGRAM.  
MATING CONNECTOR: AMP INCORPORATED  
MINI-UNIVERSAL MATE-N-LOK P/N 172168-1  
WITH SOCKET CONTACT P/N 171639-1 OR EQUIVALENT.

AIR TEMPERATURE SENSOR CONNECTOR (J4)  
WATER DEPTH AND TEMPERATURE CONNECTOR (J2)

Note: Transducers are prewired with AMP Mate-N-Lok connectors. Power and Audio Alarm Connector to be wired by customer.

Recommended wire size: 18 AWG Stranded.

